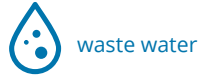


SEWAGE GRINDER

submersible pump for sewage water



waste water



domestic use

Max Head 21 - 44m

Max Flow 16 - 23m³/h

Motor Power 1.5 - 4 Kw

Discharge size G1½ F/G2F



SEWAGE GRINDER

KEY ADVANTAGES OF A GRINDER PUMP

APPLICATION

The electric pumps "Grinder" are particularly suitable for the capture and drainage of heavy rainwater, with solids and fibers. The grinding system ensures that all solids and fibers "are crushed into small pieces to pass through the turbine and tubes.

INSTALLATION

Permanent or transportable. Model with float switch control for automatic pump operation, depending on liquid level in the sump.

MATERIALS

Double seals, lip seals and reinforced SIC-SIC mechanical seal. Motor casing, pump body and open impeller in cast iron, 420 stainless steel shaft. Grinder system.

PUMPED LIQUID

Water loaded with solids and fibers. Max. liquid temperature: 35°C.

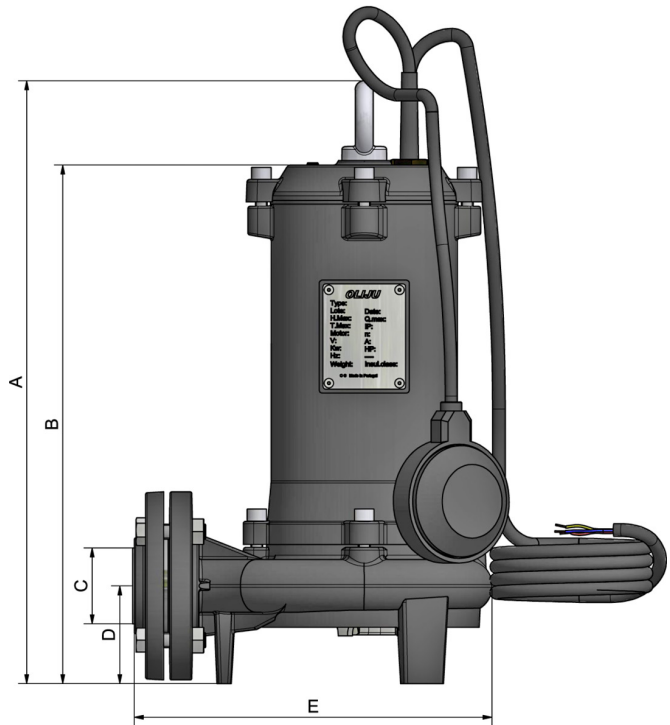
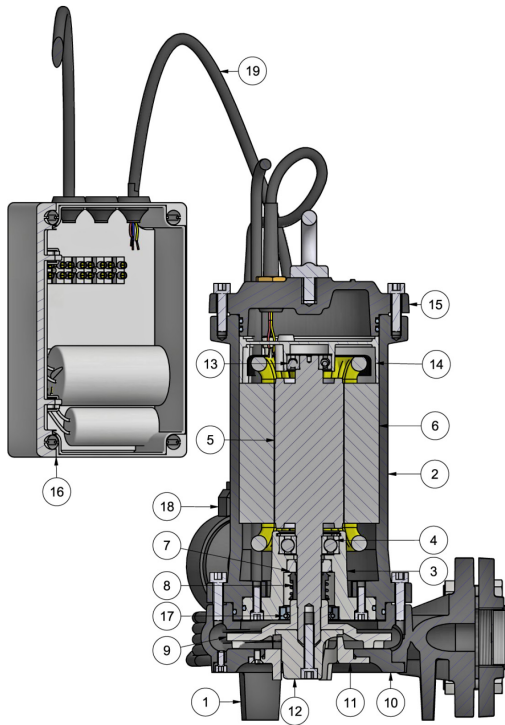
MOTOR

Fully submersible, pressure tight electric motor. Stainless steel motor- and pump housing. Insulation class F. Motor protection IP 68. Thermal sensors imbedded in the motor winding.

FEATURES

Power cable: 10 m neoprene for SGR40.
Power cable: 20 m neoprene for SGR50.
Immersion depth of 10 m.
Protection box in monophasic version
Ideal for installation with guide rail.

COMPONENTS, MATERIALS, DIMENSIONS AND WEIGHT



SEWAGE
GRINDER

POS	COMPONENT	MATERIALS
1	Body Pump	Cast Iron
2	Motor Casing	Cast Iron
3	Rotor Support SGR	Cast Iron
4	Bearing	Steel
5	Rotor / Shaft	Steel and Aluminium / Stainless Steel
6	Stator	-
7	Mechanical Seal Fixe	Nitrile Rubber / Ceramics
8	Mechanical Seal Mobile	Graphite Steel
9	Impeller	Cast Iron
10	Bottom Cover	Cast Iron
11	Crushed Dish	Stainless Steel
12	Crusher	Stainless Steel
13	Bearing	Steel
14	Top Engine Support	Aluminium
15	Top Cover	Cast Iron
16	Simple Cover Board	-
17	Lip Seals	Nitrile Rubber
18	Float	Neoprene Plastic
19	Power Cable	Neoprene

TYPE	DIMENSIONS (mm)					WEIGHT Kg
	A	B	C	D	E	
SGR 40.150	402	349	1"½	65	238	26,5
SGR 50.220	470	415	2"	95	294	36
SGR 50.400	515	450	2"	95	320	43