

SURFACE PRESSURE CMH

surface pump multistage



clean water



domestic use

Max Head 21 - 88m

Max Flow 3.9 - 22m³/h

Motor Power 0.37 - 3Kw

Discharge size G1- 1½ F

DN 1" - **CMH 10, CMH 20**

DN 1" ¼ - **CMH 30, CMH 40**



KEY ADVANTAGES OF A CMH PUMP

APPLICATION

CMH pumps are suitable for use with clean water. These pumps are widely used in domestic applications such as the distribution of water in combination with small and medium sized pressure tanks, and for the irrigation of gardens and orchards, etc.

INSTALLATION

The pump should be installed in an enclosed environment or sheltered from inclement weather.

MATERIALS

Pump body and pusher in cast iron. Exterior shell and impeller in stainless steel (AISI304). Shaft in stainless steel (AISI 416). Diffusor in noryl with fiber-glass.

PUMPED LIQUID

Clean water.
Max. liquid temperature: 35°C.

MOTOR

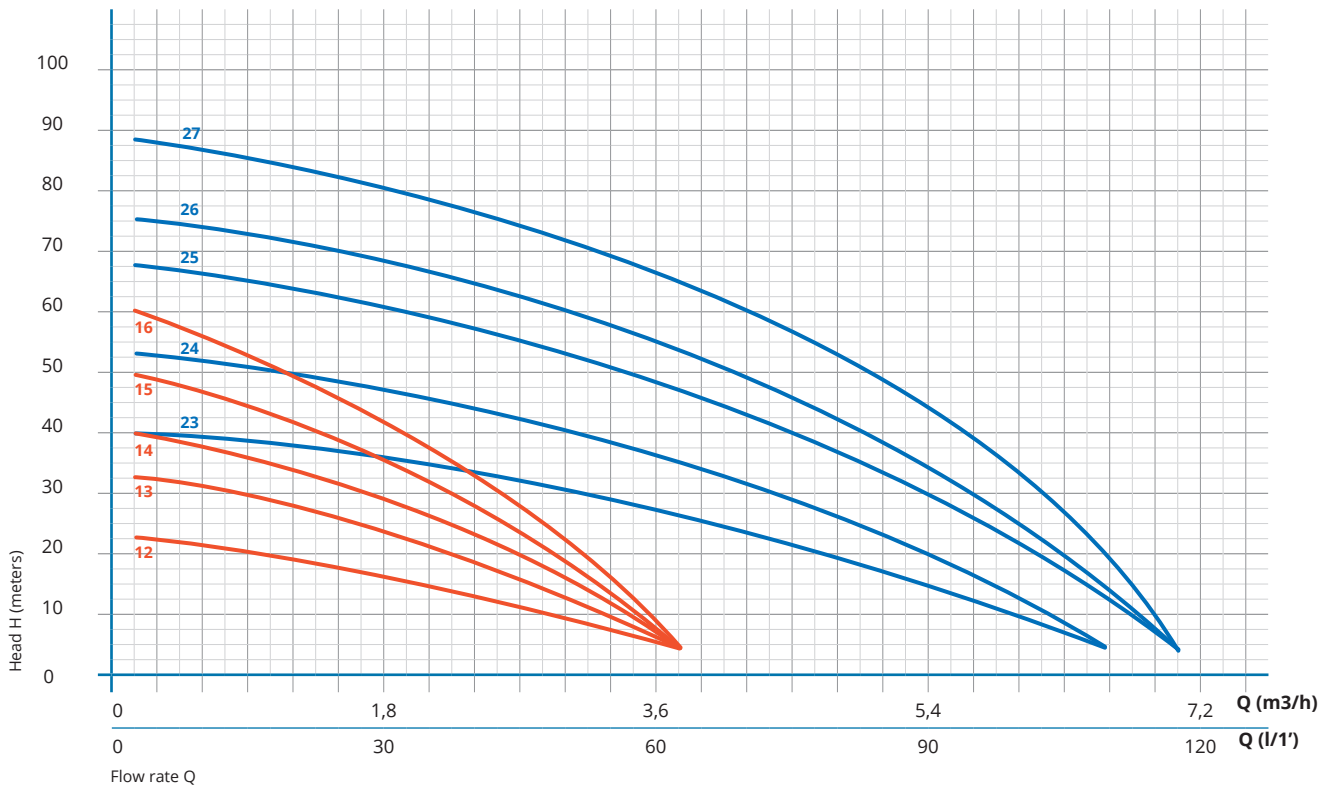
Externally ventilated. Mechanical seal (carbon-graphite). Protection IP44. Class F insulation.

FEATURES

Max. starts/hour: 30

CHARACTERISTIC CURVES AND PERFORMANCE DATA

50Hz

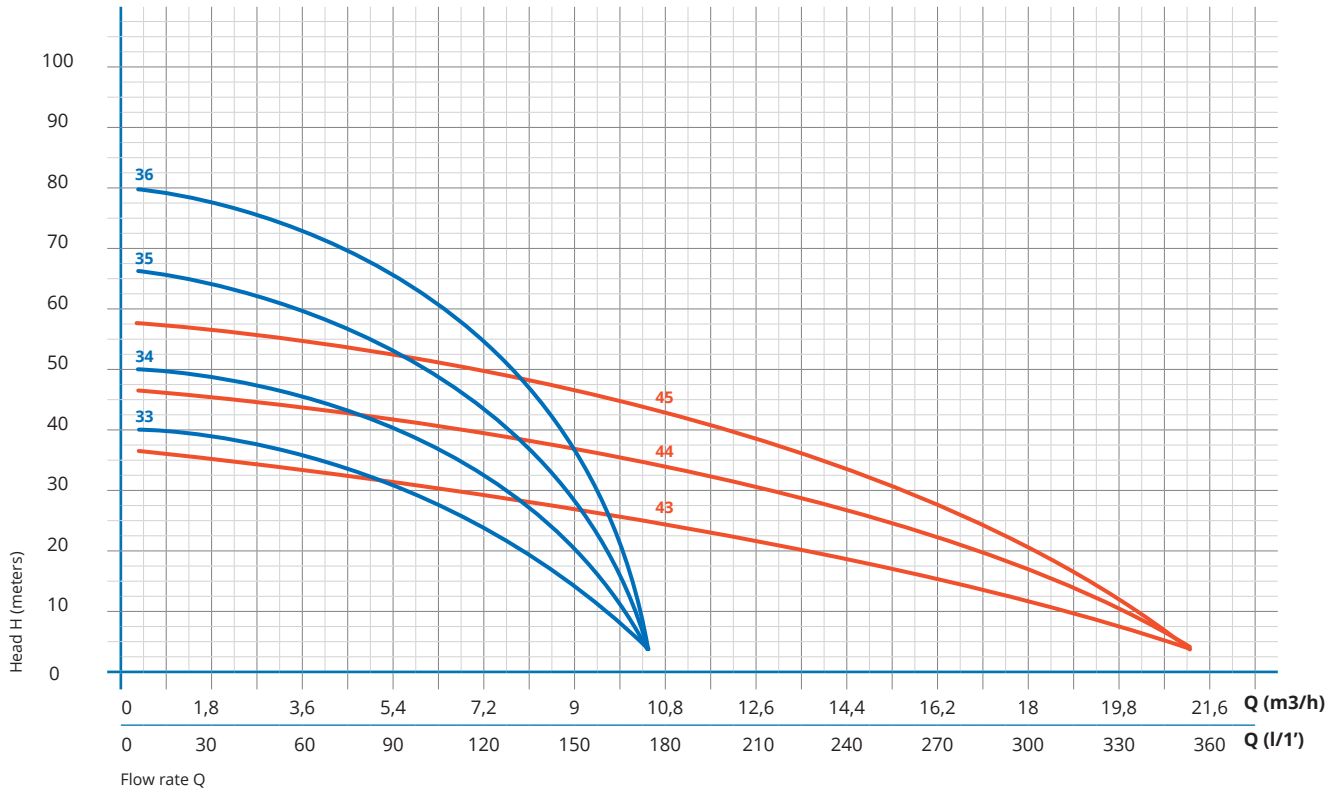


TYPE	POWER kW	MOTOR			PORT DN	Q m³/h																
		1~ A	1~ µF	3~ A		0	0,6	1,2	1,8	2,4	3	4,5	5,7	9	10,5	12	15	18	19,8			
						Q (l/min)																
						0	10	20	30	40	50	75	95	150	175	200	250	300	330			
CMH 12.37	0,37	2,2	10	1,1	1"	H - meters	20	20	18	15	12	7										
CMH 13.37		2,6	12	1,2			30	30	27	23	18	11										
CMH 14.60	0,6	3,45	14	1,4			40	37	33	28	22	14										
CMH 15.60		3,9	18	1,6			50	46	41	34	26	17										
CMH 16.90	0,9	4,9	20	1,9			59	55	49	41	31	20										
CMH 23.75	0,75	4,2	16	1,8			38	37	36	35	33	29	19	10								
CMH 24.80	0,8	5,4	16	2,3			50	51	48	46	43	39	27	15								
CMH 25.120	1,2	7,2	20	2,8			63	65,5	63	59	56	51	39	24								
CMH 26.120		7,8	25	3,5			75	76,5	74	71	67	62	46	29								
CMH 27.150	1,5	8,6	25	3,8			88	87	86	84	80	75	59	39								

SURFACE PRESSURE
CMH

CHARACTERISTIC CURVES AND PERFORMANCE DATA

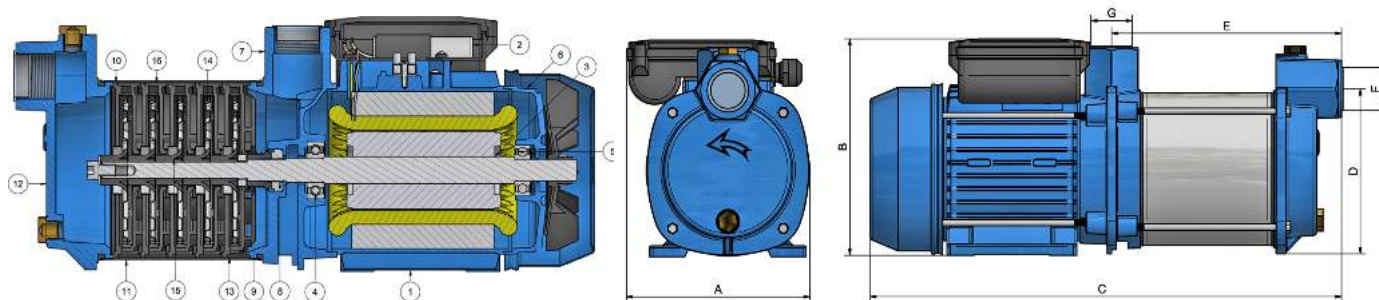
50 Hz



TYPE	POWER kW	MOTOR			PORT DN	Q m³/h l/min	0	0,6	1,2	1,8	2,4	3	4,5	5,7	9	10,5	12	15	18	19,8
		1~ A	1~ µF	3~ A			0	10	20	30	40	50	75	95	150	175	200	250	300	330
CMH 33.90	0,9	6.2	25	3,7	1"¼	H - meters	40	39,5	39	38	37	36	32	28	13,5	4,5				
CMH 34.110	1,1	8.9	35	3,9			50	49,5	49	48,5	48	47	43	39	20	7,5				
CMH 35.150	1,5	11,2	40	4,6			66	65,5	65	64	63	62	57	52	28	11				
CMH 36.120	1,2	12	50	5			81	80,5	79,5	78	76	75	69	63	36	14,5				
CMH 43.150	1,5	11	40	3,6	1"½		36	35,5	35	34,5	34	33	32	30	26	24	22	16	10	6
CMH 44.220	2,2	12	50	4,2			46	45,5	45	44,5	44	43	42	40	35	33	30	24	15	9
CMH 45.300	3	-	-	6			57	56,5	56	55,5	55	54	53	50	44	41	38	30	22	13

SURFACE PRESSURE
CMH

COMPONENTS, MATERIALS, DIMENSIONS AND WEIGHT



POS	COMPONENT	MATERIALS
1	Stator on Casing	-
2	Capacitor	-
3	Rotor / Shaft	Steel and Aluminium / Stainless Steel
4	Bearing	Steel
5	Bearing	Steel
6	Cover	Aluminium
7	Body Impulse	Iron Cast
8	Mechanical Seal Fixe	Nitrile Rubber / Ceramics
9	Mechanical Seal Mobile	Graphite Steel
10	Diffuser Cover	Noryl
11	Motor Casing	Stainless Steel
12	Aspiration Body	Iron Cast
13	Initial Diffuser	Noryl
14	Impeller	Stainless Steel
15	Bushing Noryl for Impeller	Noryl
16	Diffuser Lid Welded	Noryl

TYPE	DIMENSIONS (mm)						WEIGHT Kg	PALETTE Un
	A	B	C	D	E	F		
CMH 12.37	126	160	334	119	132	1"	1"	8,2
CMH 13.37			352		150			8,3
CMH 14.60			370		168			8,5
CMH 15.60			388		185			9,0
CMH 16.90			405		203			9,2
CMH 23.75	155	179	369	137	161	1"	1"	13,0
CMH 24.80			389		180			13,5
CMH 25.120			408		200			14,0
CMH 26.120			428		219			14,5
CMH 27.150			447		239			16,0
CMH 33.90	191	212	441	160	203	1"¼	1"¼	17,0
CMH 34.110			453		216			17,5
CMH 35.150			478		241			19,0
CMH 36.120			502		265			20,0
CMH 43.150	193	212	488	155	243	1"½	1"½	20
CMH 44.220			527		283			22
CMH 45.300			602		323			26

SURFACE PRESSURE
CMH